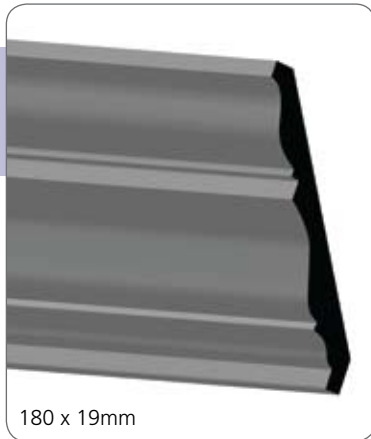


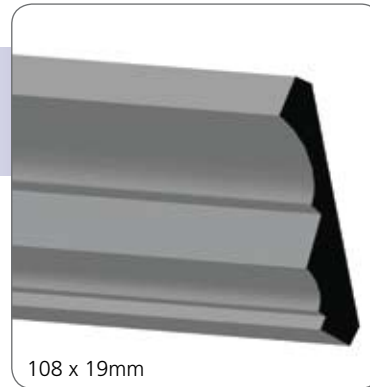
Cornice

Mouldings are created from any species that are commercially available such as American Oak, Jarrah, Tasmanian Oak, Radiata Pine, Victorian Ash, Hoop Pine, Western Red Cedar and MDF.

2013



2016



HOW TO ORDER YOUR MOULDING

Ordering your moulding is simple.
We just need the answers to a few questions:

1. Are you painting or staining your moulding?
This will determine which timber you choose.
If you are painting, choose Pine or MDF.
2. Choose the appropriate timber species
3. Choose your moulding number
4. Work out the quantity required.

If you wish to match an existing moulding,
we require:

1. A sample or "to scale" drawing
2. Timber species required
3. Quantity required

**Please call our friendly staff on 03 9808 5522
to help you with these questions.**

**Hazelwood
& Hill**
1931-2011
80years

Phone 03 9808 5522
www.hazelwoodhill.com.au

18 McIntyre Street, Burwood Victoria 3125
sales@hazelwoodhill.com.au • Fax (03) 9808 7226