

# Handrail

Mouldings are created from any species that are commercially available such as American Oak, Jarrah, Tasmanian Oak, Radiata Pine, Victorian Ash, Hoop Pine, Western Red Cedar and MDF.

7001



85 x 42mm

7019



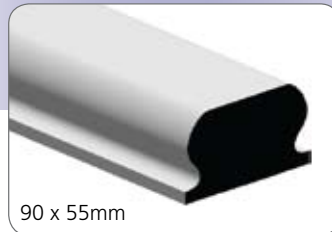
80 x 40mm

7020



80 x 42mm

7021



90 x 55mm

7024



115 x 38mm

7026



82 x 68mm

**Hazelwood  
& Hill**  
1931-2011  
**80years**

Phone 03 9808 5522

[www.hazelwoodhill.com.au](http://www.hazelwoodhill.com.au)

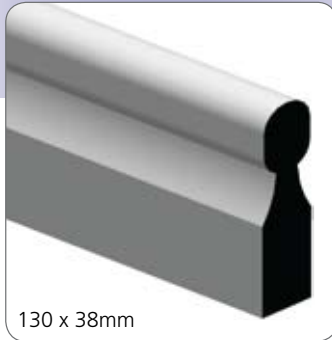
18 McIntyre Street, Burwood Victoria 3125

[sales@hazelwoodhill.com.au](mailto:sales@hazelwoodhill.com.au) • Fax (03) 9808 7226

# Handrail

Many mouldings can be created to your own specifications. If you are renovating, we can match exactly your existing mouldings.

7027



## HOW TO ORDER YOUR MOULDING

Ordering your moulding is simple.  
We just need the answers to a few questions:

1. Are you painting or staining your moulding?  
This will determine which timber you choose.  
If you are painting, choose Pine or MDF.
2. Choose the appropriate timber species
3. Choose your moulding number
4. Work out the quantity required.

If you wish to match an existing moulding,  
we require:

1. A sample or "to scale" drawing
2. Timber species required
3. Quantity required

**Please call our friendly staff on 03 9808 5522  
to help you with these questions.**

**Hazelwood  
& Hill**  
1931-2011  
**80years**

Phone 03 9808 5522

[www.hazelwoodhill.com.au](http://www.hazelwoodhill.com.au)

18 McIntyre Street, Burwood Victoria 3125

[sales@hazelwoodhill.com.au](mailto:sales@hazelwoodhill.com.au) • Fax (03) 9808 7226